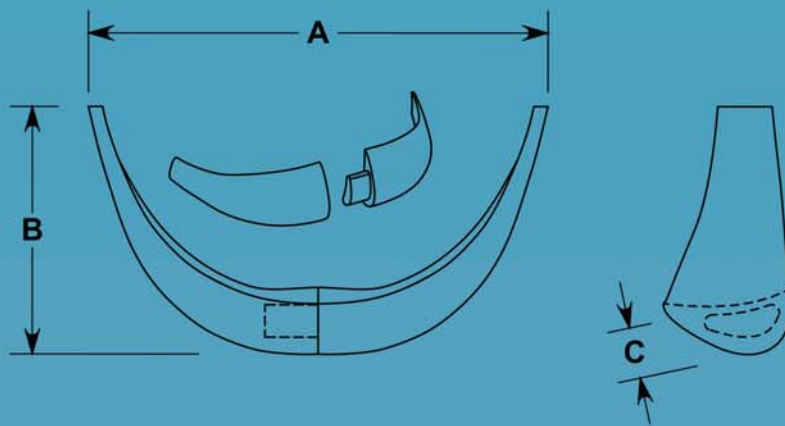
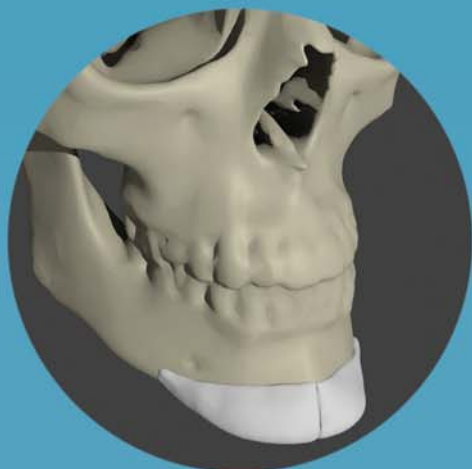


Two-Piece Chin

- Two-Piece design allows for easy insertion and placement
- Once in place, connect pieces together for proper alignment
- Fully porous material for tissue ingrowth
- Implant bends and holds desired shape without heating
- Screws or sutures can be placed in any desired location
- Easy to trim with scissors or scalpel
- Individually packaged, MR Safe, Sterile, 5 Year Shelf Life



CAT#	Description	A	B	C
4092	Small	56mm	33mm	5mm
4093	Medium	56mm	36mm	7mm
4094	Large	57mm	38mm	9mm

